

**Data Acquisition Form for
FMS Force Measuring Blocks**
(paper, steel, non-ferrous metal and other applications)

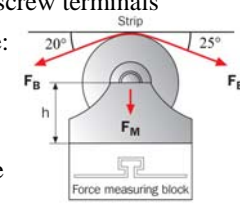


**Please fill in and send
to the below address.**

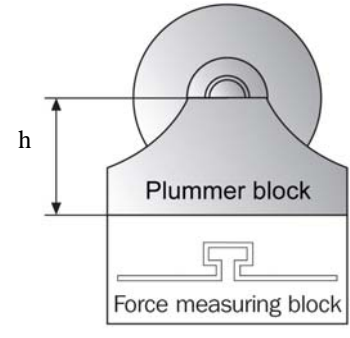
To suggest a specific offer, we need some information about your application.
Please complete the data sheet as much as possible and return it to us. Thank you.

Name : _____ Phone : _____
 Company : _____ Project : _____
 Strip tension max: _____ min: _____ [kN]
 Processed strip material : _____
 Width of strip material : _____ [mm]
 Thickness of strip materials : _____ [mm]
 Roller weight : _____ [kg]
 Roller diameter : _____ [mm]
 Shaft diameter : _____ [mm]
 Process speed : _____ [m/min]
 Ambient (Dust, emulsion, etc.) : _____ Ambient temperature: _____ [°C]

Options:
 Additional length of cable: _____ [m]
 Protective tube 3/8" without connector box
 Protective tube 3/8" with connector box
 Connector box with screw terminals

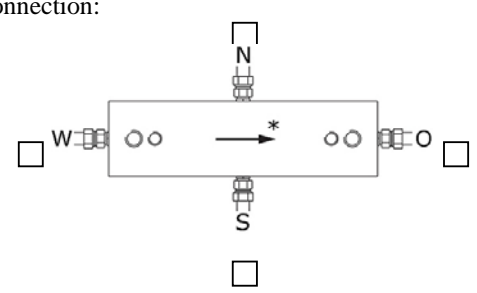
Example: 

Please draw mounting situation with wrap angle below:



h = _____ [mm]

Electrical connection:



* correspond to strip direction for vertical type block or resultant force for horizontal type block

Type and dimension of plummer block / Mounting holes position:

World Headquarters:

FMS
Force Measuring Systems AG
 Aspstrasse 6
 8154 Oberglatt (Switzerland)
 Phone + 41 44 852 80 80
 Fax + 41 44 850 60 06
 info@fms-technology.com

FMS USA, Inc.
 2155 Stonington Avenue,
 Suite 119
 Hoffman Estates, IL 60169
 Phone 847 392 7872
 Fax 847 392 7873
 fmsusa@fms-technology.com

FMS UK
 Highfield, Atch Lench Road
 Church Lench
 Evesham WR 11 4UG
 Phone 1386 871023
 Fax 1386 871021
 fmsuk@fms-technology.com

FMS Italy
 Via Baranzate 67,
 I-20026 Novate Milanese
 Phone 02 39487035
 Fax 02 39487035
 fmsit@fms-technology.com

www.fms-technology.com